

TECHNICAL DATA (Fitting Instructions)

HILLALDAM COBURN LTD • UNIT 16 • MERTON INDUSTRIAL PARK • LEE ROAD • LONDON • SW19 3HX • UK

- MAXIMUM DOOR WEIGHT** 198lb
- MAXIMUM DOOR HEIGHT** 8ft
- MAXIMUM DOOR WIDTH** 5ft
- DOOR THICKNESS** 1-3/16" - 1-3/4"
- TESTED TO BSEN1527 GRADE 5**

STANDARD TRACKSETS

- SET 1P** For doors up to 2ft wide
- SET 2P** For doors 2ft - 2ft 6" wide
- SET 3P** For doors 2ft 6" - 3ft wide
- SET 4P** For doors 3ft - 3ft 6" wide
- SET 5P** For doors 3ft 6" - 4ft wide
- SET 6P** For doors 4ft - 4ft 6" wide
- SET 7P** For doors 4ft 6" - 5ft wide

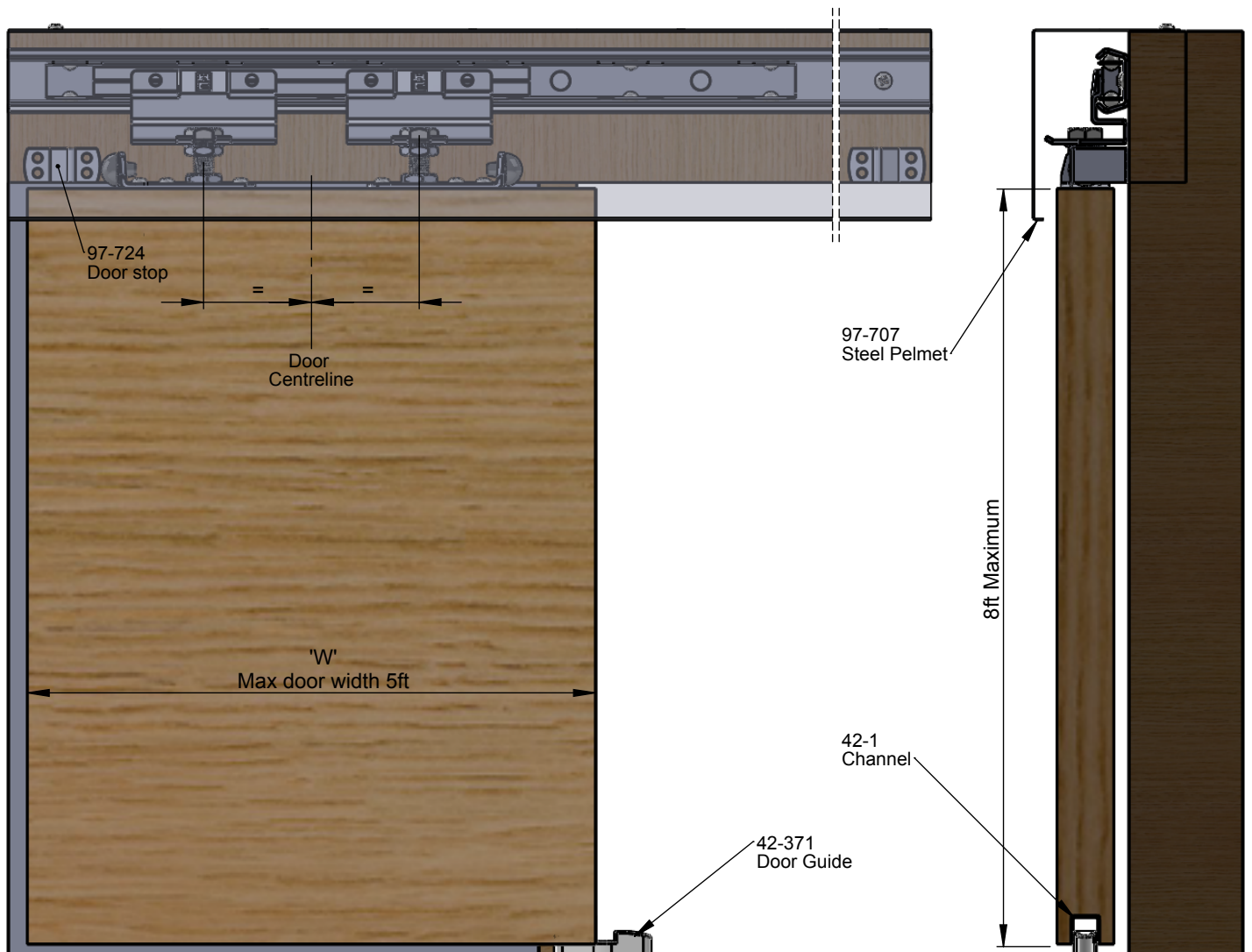
TRACKSET COMPONENTS	
Top track Assembly with door plates and pendant bolt	1
Door Stop 97-724	2
Door Guide 42-371	1
Channel 42-1	1

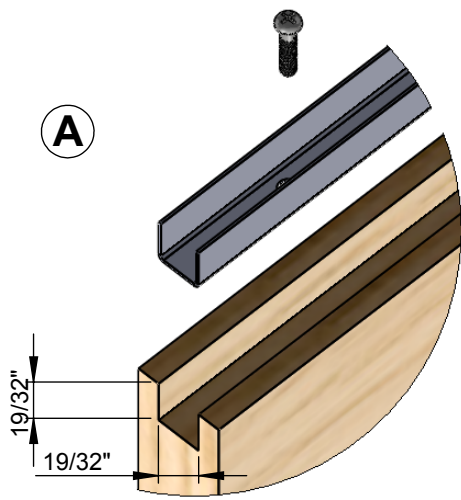
Contents per set: 1 ball bearing top assembly with door plates and pendant bolts, door channel, floor guide, 2 door stops, installation details and all screws.

COMPONENTS SUPPLIED SEPARATELY

97-707 Steel Pelmet

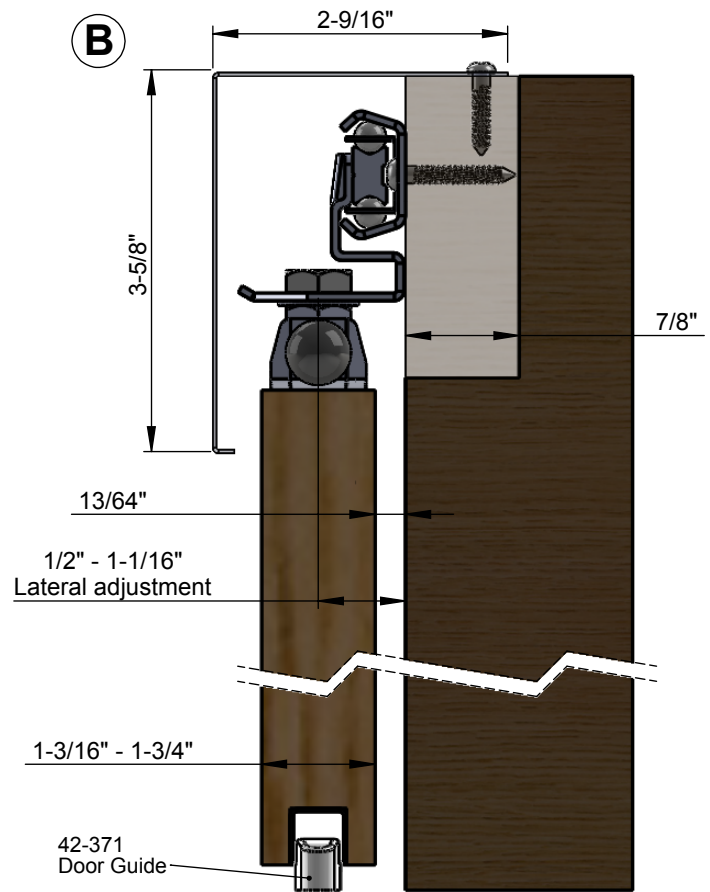
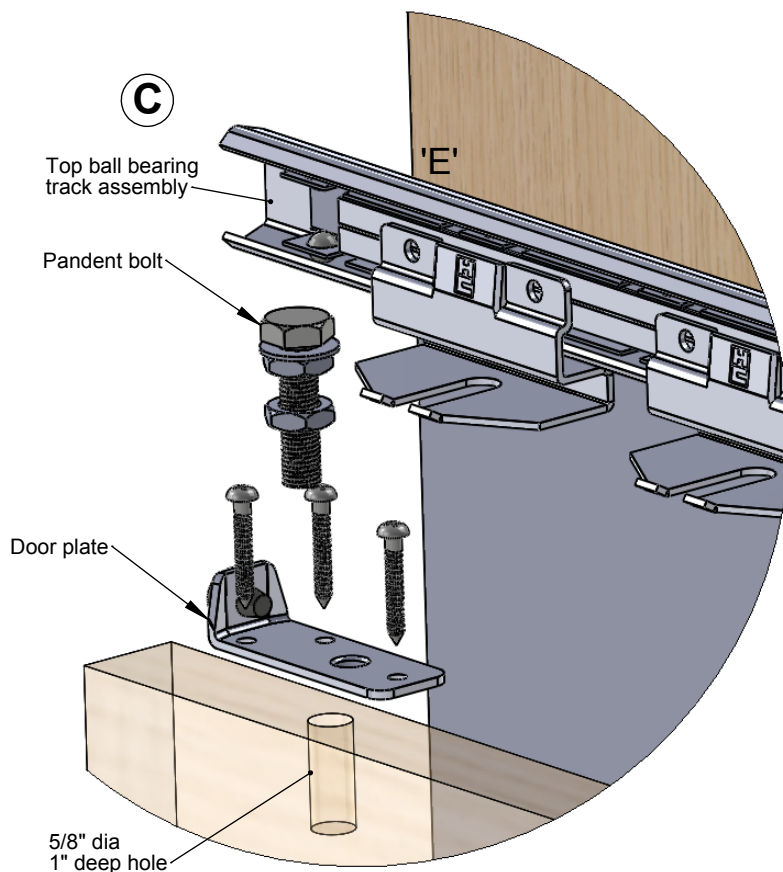
SIMULTANEOUS OPERATION OF 2 DOORS
 Can be achieved by using Coburn Simultaneous operator catalogue no. 62100.





Groove bottom of door to suit 42-1 channel size (19/32" x 19/32") cut channel to suit door. Fix with No. 6 x 3/4" countersunk woodscrews- fig. A.

Drill two 5/8" diameter holes 1" deep for pendant bolts. Screw pendant bolts into door plates and fix as shown with six No. 10 x 1" head screws. (The pendant bolt centres are fixed and should be equal distance from centre line of door - fig. C. Take dimensions from centre line of hangers. Do not screw door plates into end grain of stiles.)



Stand door in closed position on 1/4" packing. Position track by aligning pendant bolts with slots in hangers and arranging for the inner bar to stop 1/4" clear of peg in end of track. On no account must this peg be used as a stop. Track must be perfectly level on track plate 'E' with top edge of track 2-5/8" above the final position of the top of door. Use bradawl for screw holes in order to avoid wood chips in track - fig. C. Fix with seven No. 8 x 1" Csk head screws.

Hang door by entering pendant bolt into slots in hangers. Adjust to give correct clearance under door and over face of wall and ensure that it closes evenly and flush with jamb. Tighten all lock nuts and lightly grease running track.

Screw self aligning 42-371 guide to floor at edge of opening- fig. D. with No. 10 x 1-1/4" head screw. If door has to be taken down use 1/4" packing again and tighten all nuts when re-hanging doors as paragraph above.

Fix 97-724 door stops with two No.8 x 1" round head screws at each end of door travel. Always use top hole on buffer side and bottom hole on other side.

Fix handles, lock and pelmet if required. Check all nuts and screws for tightness from time to time and keep track lightly greased.

